

- NOTES:
- ALL WORKS TO BE CONSTRUCTED IN ACCORDANCE WITH THE TII SPECIFICATION FOR ROAD WORKS UNLESS OVERRIDDEN BY LOCAL OVERSEEING AUTHORITY'S STANDARDS
  - SUB-BASE MATERIAL SHALL COMPLY WITH CLAUSE 808 GRANULAR MATERIAL TYPE B OF TII'S SPECIFICATION FOR ROAD WORKS (SRW) & SHALL SATISFY THE REQUIREMENTS OF TABLE 6/4 & 6/2.
  - SUB FORMATION & CAPPING MATERIAL SHALL COMPLY WITH CLAUSE 613 OF THE TII'S 'SPECIFICATION FOR ROAD WORKS' & SHALL SATISFY THE REQUIREMENTS OF TABLE 6/1 & 6/2.
  - STONE BLINDING WITH 2-6.3mm AGGREGATE SHALL MEET THE FOLLOWING GRADINGS, IN ACCORDANCE WITH IS EN 13242
- | BS SIEVE SIZE (mm) | % BY MASS PASSING |
|--------------------|-------------------|
| 14                 | 100               |
| 10                 | 98-100            |
| 6.3                | 80-99             |
| 2.0                | 0-20              |
| 1.0                | 0-5               |
- ANY ROADS PROPOSED TO BE USED FOR CONSTRUCTION TRAFFIC ARE TO HAVE INCREASED DEPTH OF SUB-BASE FOR THE DURATION OF CONSTRUCTION IN ACCORDANCE WITH DBFL SPECIFICATIONS.
  - ALL WORKS SHALL BE COMPLETED IN ACCORDANCE WITH THE REQUIREMENTS OF THE LOCAL AUTHORITY.
  - ALL GEOTEXTILES TO BE LAID IN ACCORDANCE WITH MANUFACTURERS SPECIFICATIONS.
  - ALL AGGREGATES PROPOSED FOR USE ON THIS SCHEME SHALL MEET FULLY THE REQUIREMENTS OF THE TII SPECIFICATION FOR ROAD WORKS AND IN ADDITION THE REQUIREMENTS STATED IN STANDARD RECOMMENDATION S.R. 21:2014 GUIDANCE ON THE USE OF U.S. EN 13242:2002 +A1:2007-AGGREGATES FOR UNBOUND AND HYDRAULICALLY BOUND MATERIALS FOR USE IN CIVIL ENGINEERING WORK AND ROAD CONSTRUCTION.
  - ALL REFERENCES TO SERIES 900 OF TII SPECIFICATION REFER TO SERIES 900 DATED DECEMBER 2014.

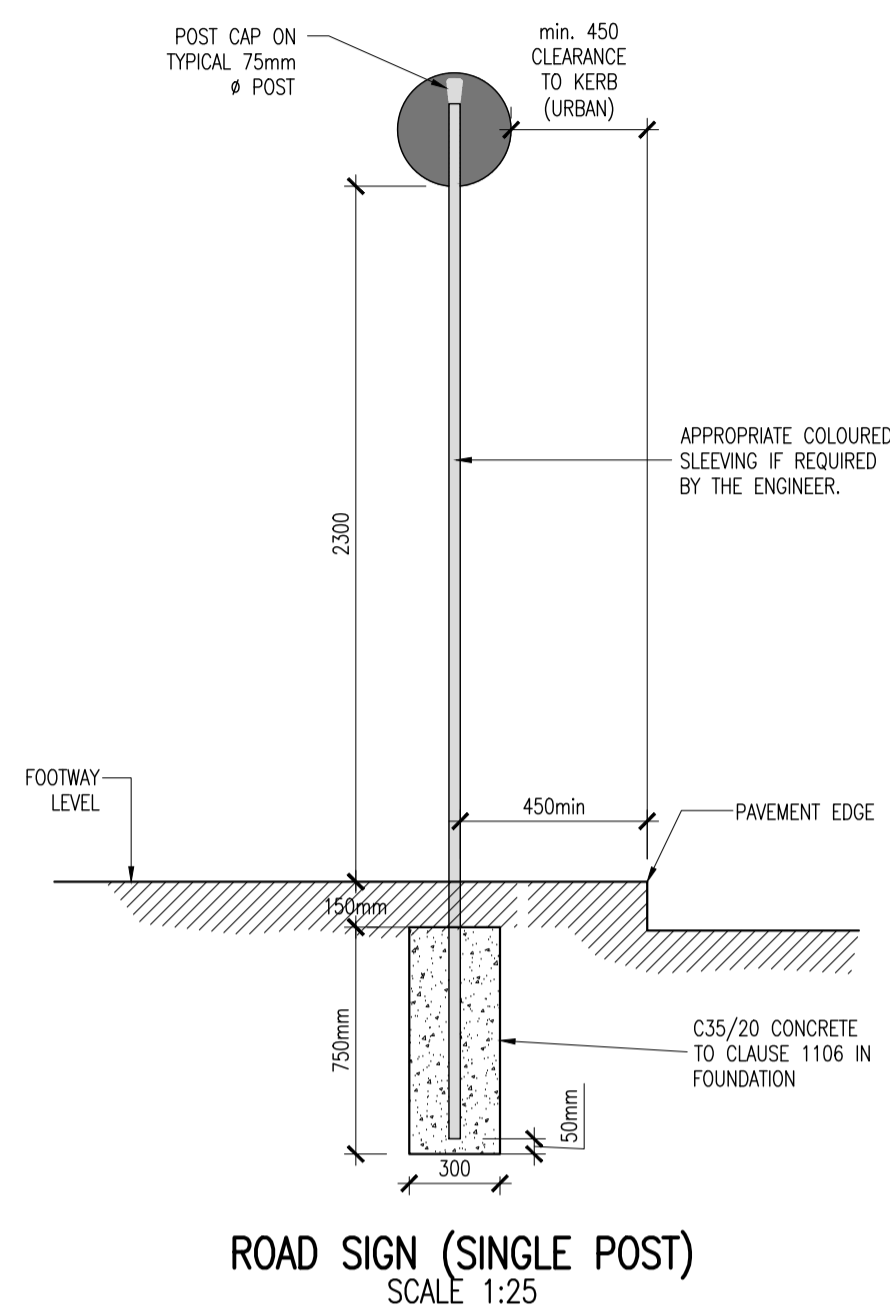


FIGURE 2A

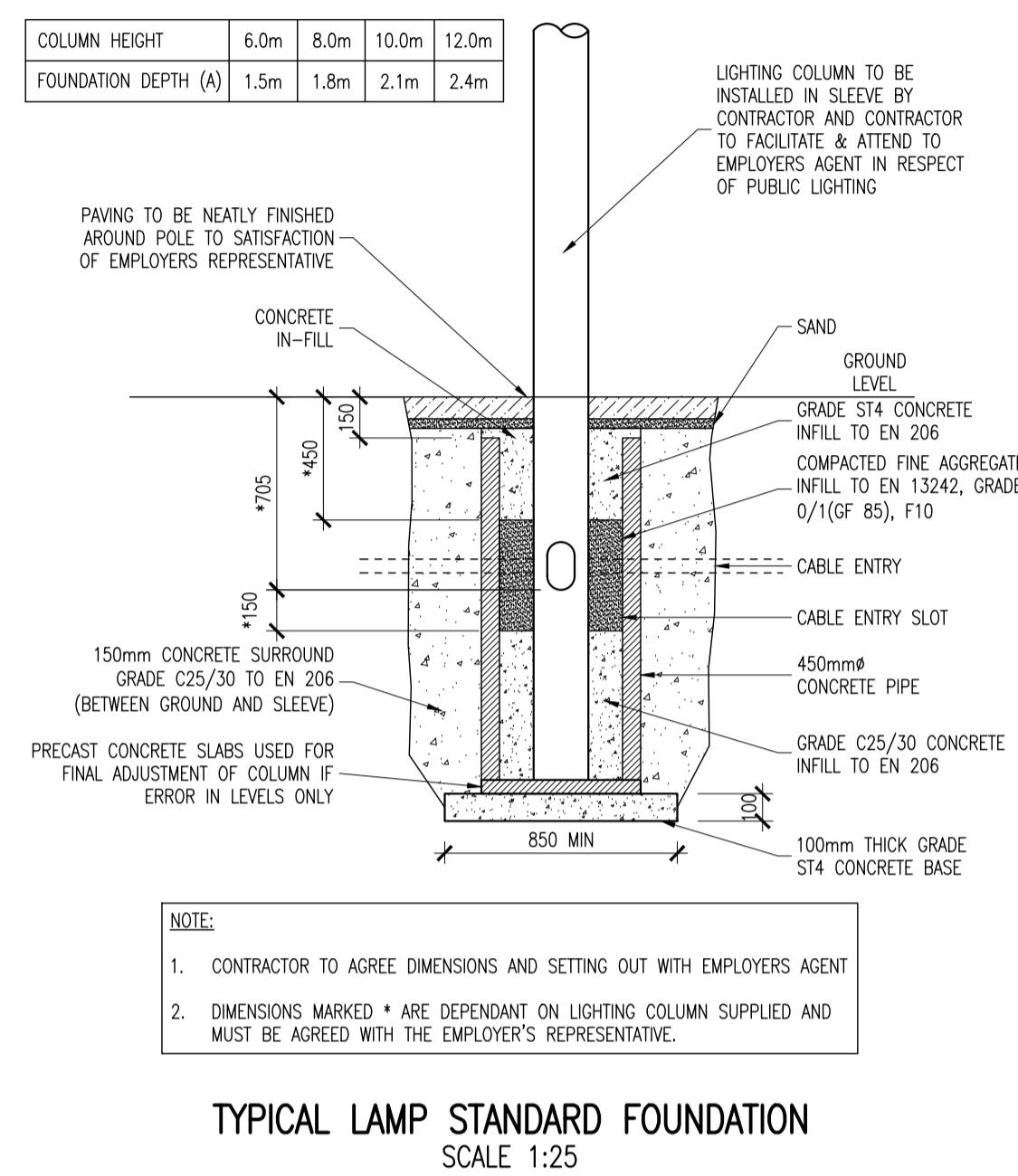


FIGURE 2B

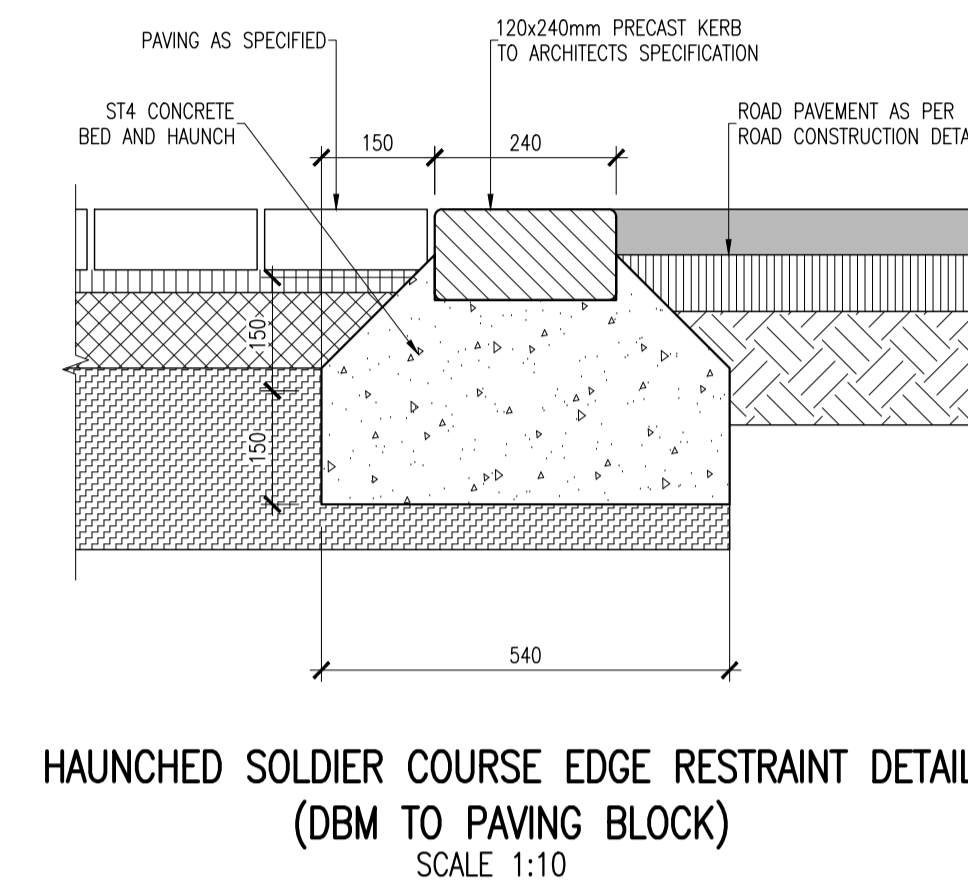


FIGURE 2C

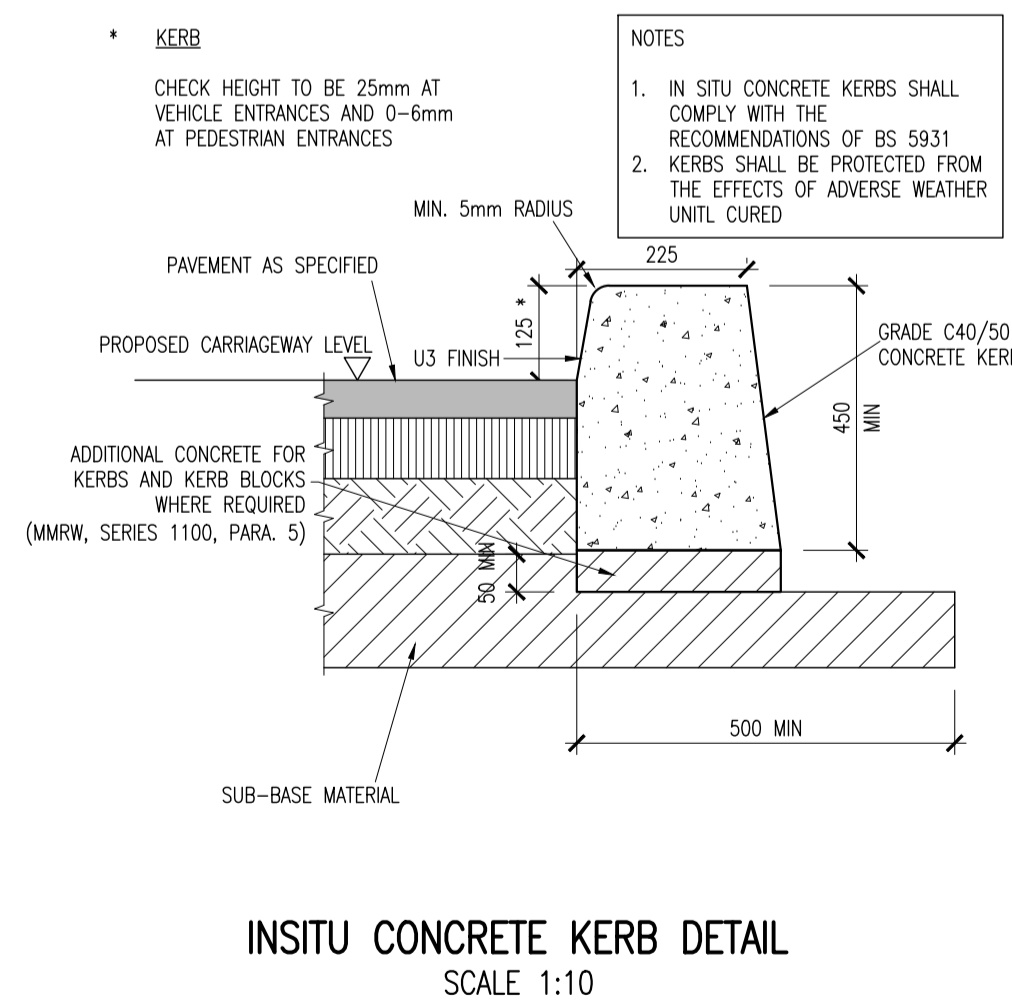


FIGURE 2D

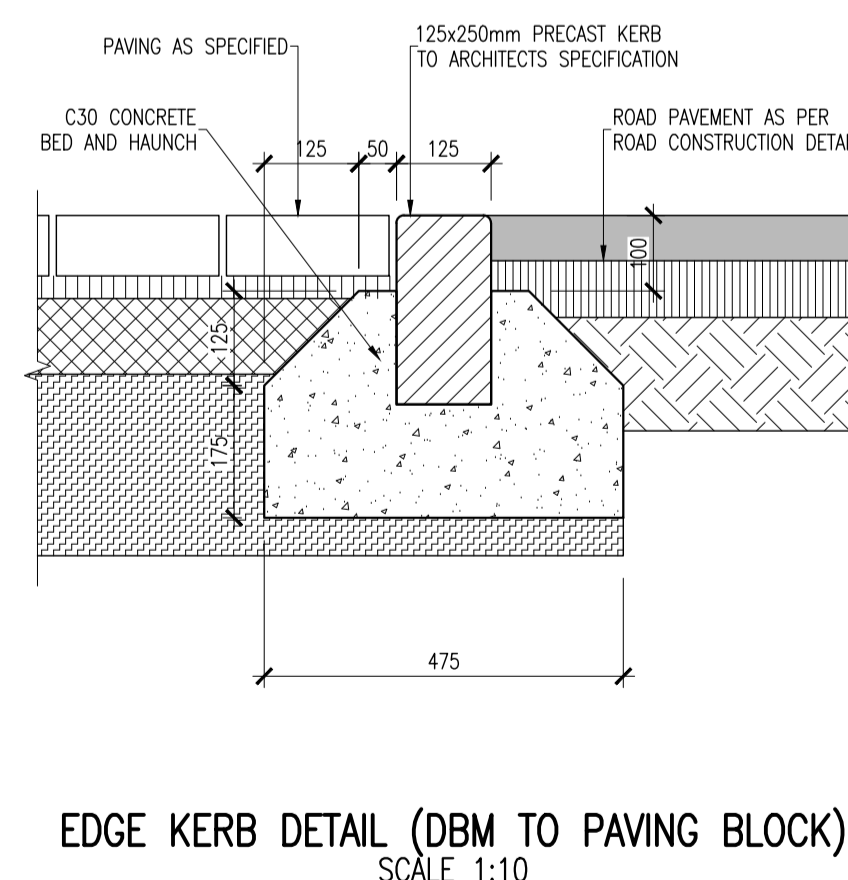


FIGURE 2E

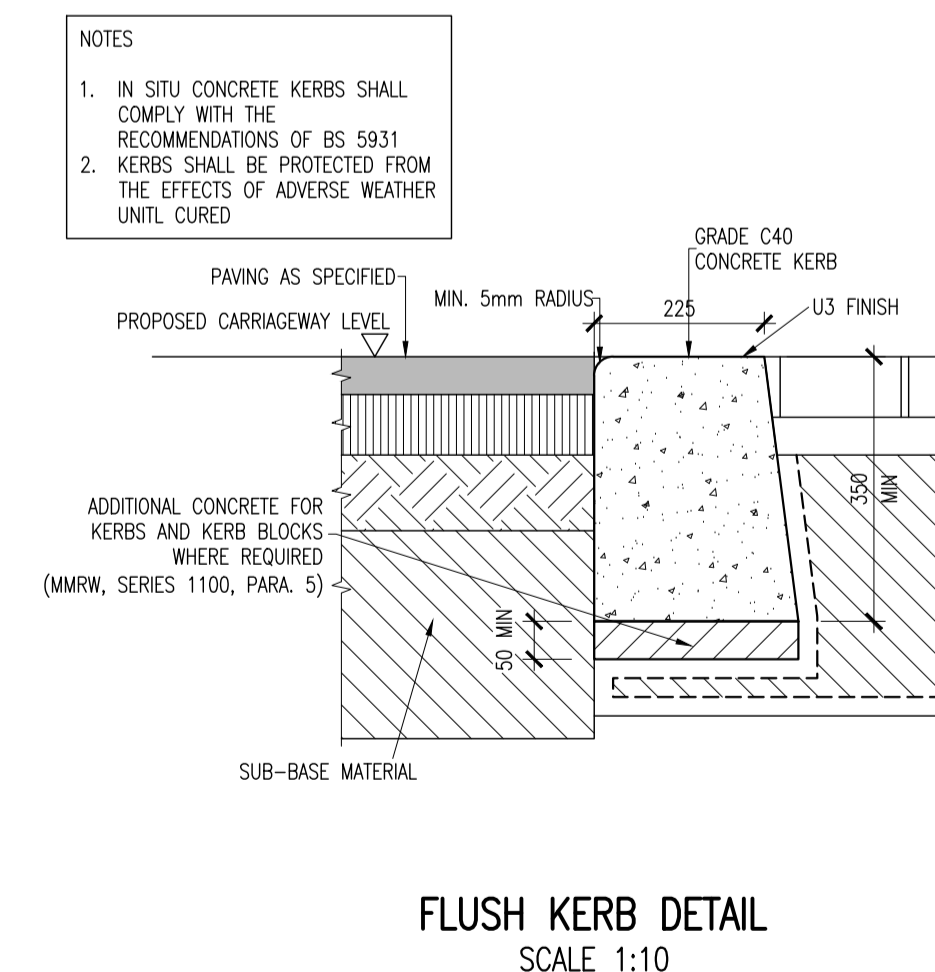


FIGURE 2F

B	161020	UPDATED DETAILS LAYOUT	JUB	DCG
A	280920	STAGE 3 SUBMISSION	GMC	DMW
REV.	DATE	DESCRIPTION	BY	CHECKD.

**PLANNING SHD STAGE 3**

DESIGNED	DMW	PREPARED	GMC
DATE	MAR 2020	CHECKED	DMW

**DBFL**  
Dublin Office: Ormond House, Upper Ormond Quay, Dublin 7, Ireland. PHONE +353 1 400 4000 FAX +353 1 400 4050  
Waterford Office: Unit 2, The Chandlers, 1-2 O'Connell Street, Waterford, Ireland. PHONE +353 51 338 550 FAX +353 51 844 813

DBFL Consulting Engineers email: info@dbfl.ie site: www.dbfl.ie

PROJECT  
**NEWTOWNPARK AVENUE SHD**

DRG. TITLE  
**TYPICAL ROAD CONSTRUCTION DETAILS SHEET 2**

ARCHITECT  
**HENRYJLYONS**

SCALE	AS SHOWN @A1	FILE REF.	190146-2006
DRG. NO.	190146-2006		B