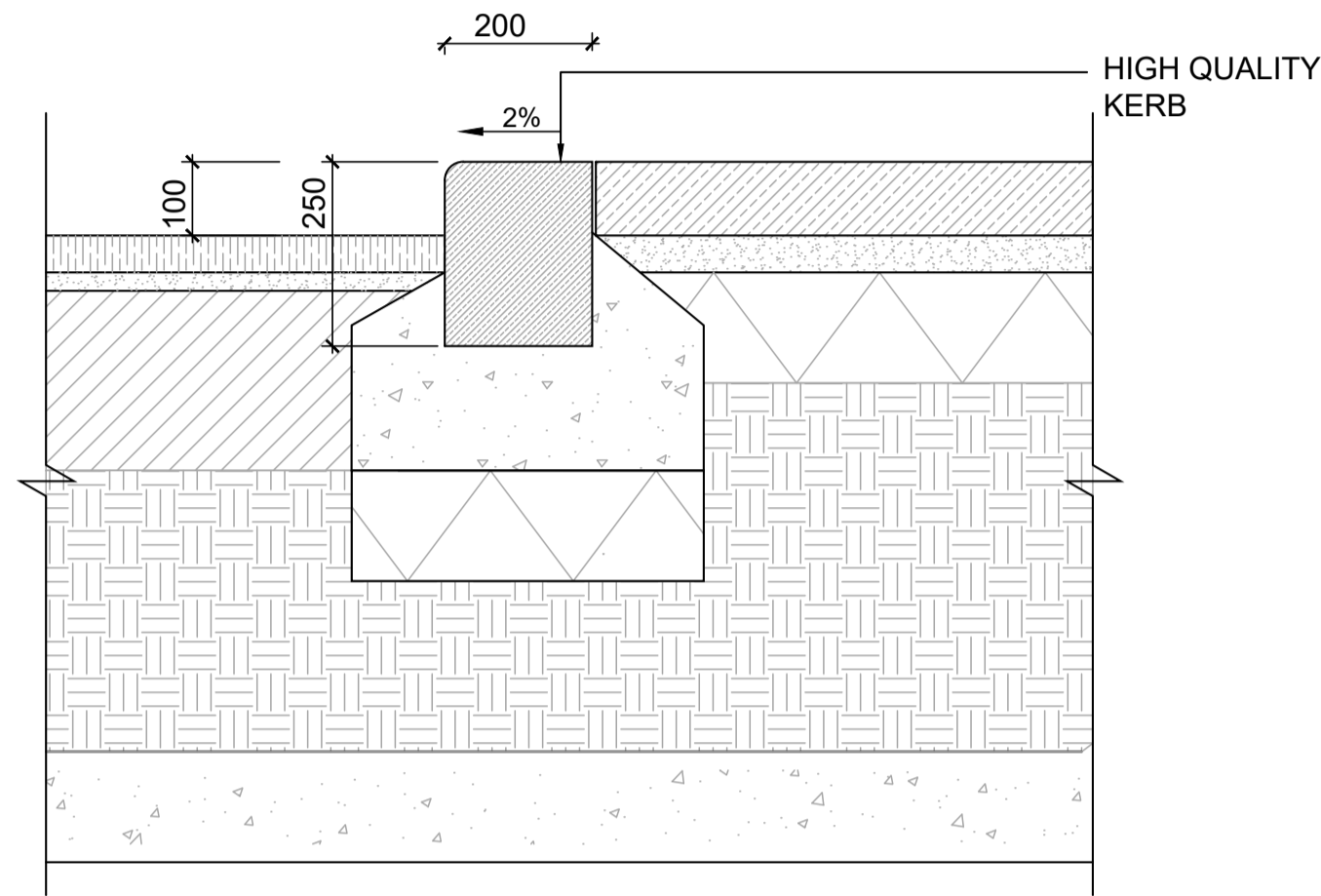


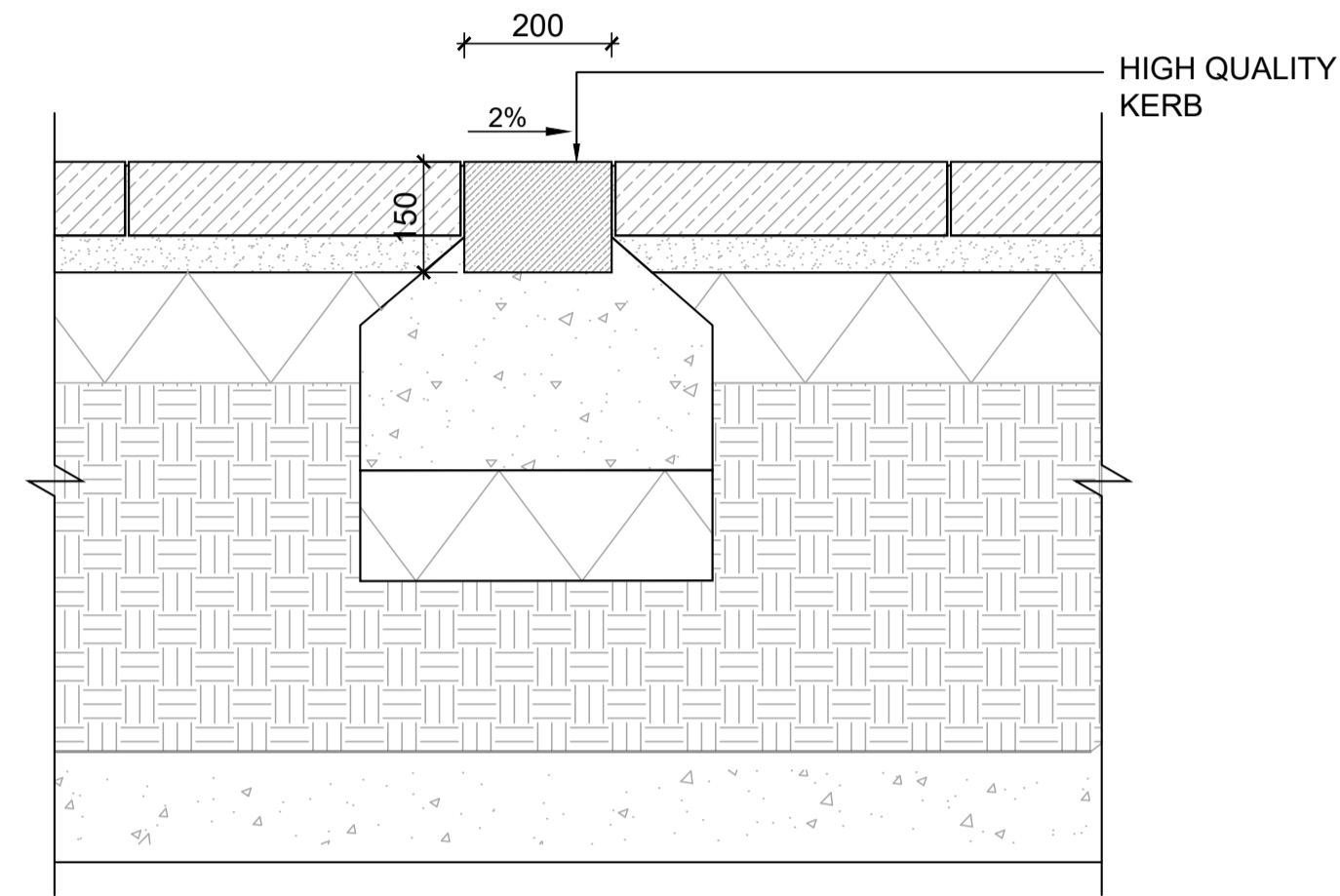
NOTE  
 ALL DIMENSIONS TO BE CHECKED ON SITE  
 NO DIMENSIONS TO BE SCALED FROM THIS DRAWING  
 THIS DRAWING IS TO BE READ IN CONJUNCTION WITH  
 RELEVANT CONSULTANTS DRAWINGS  
 NO PART OF THIS DOCUMENT MAY BE RE-PRODUCED OR  
 TRANSMITTED IN ANY FORM OR STORED IN ANY RETRIEVAL  
 SYSTEM OF ANY NATURE WITHOUT THE WRITTEN PERMISSION  
 OF THE LANDSCAPE ARCHITECT AS COPYRIGHT HOLDER EXCEPT  
 AS AGREED FOR USE ON THE PROJECT FOR WHICH THE  
 DOCUMENT WAS ORIGINALLY ISSUED  
 FOR DRAWING INDEX, GENERAL NOTES, AND HEALTH AND SAFETY REFER TO DWG  
 L1-001

CLIENT:

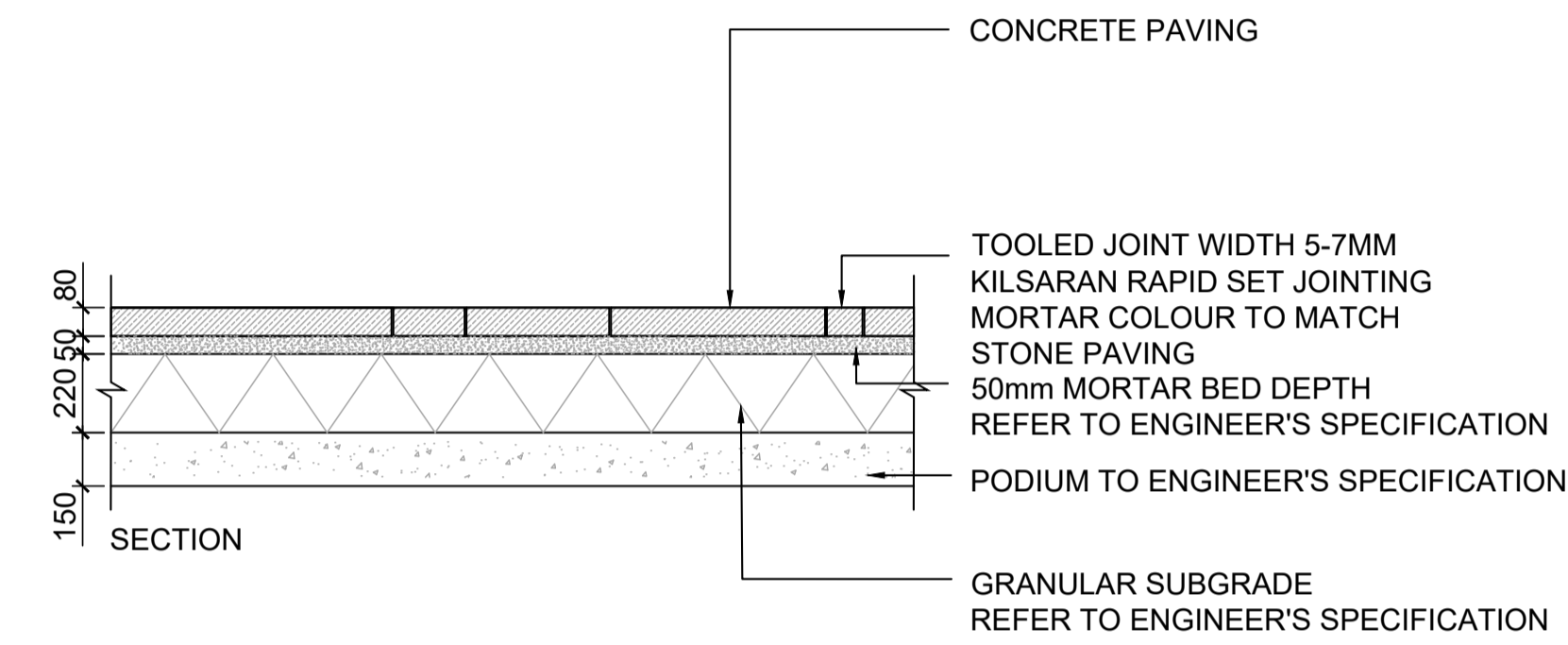
ARCHITECTS:



01 RAISED KERB  
 SCALE: 1:10 @A1

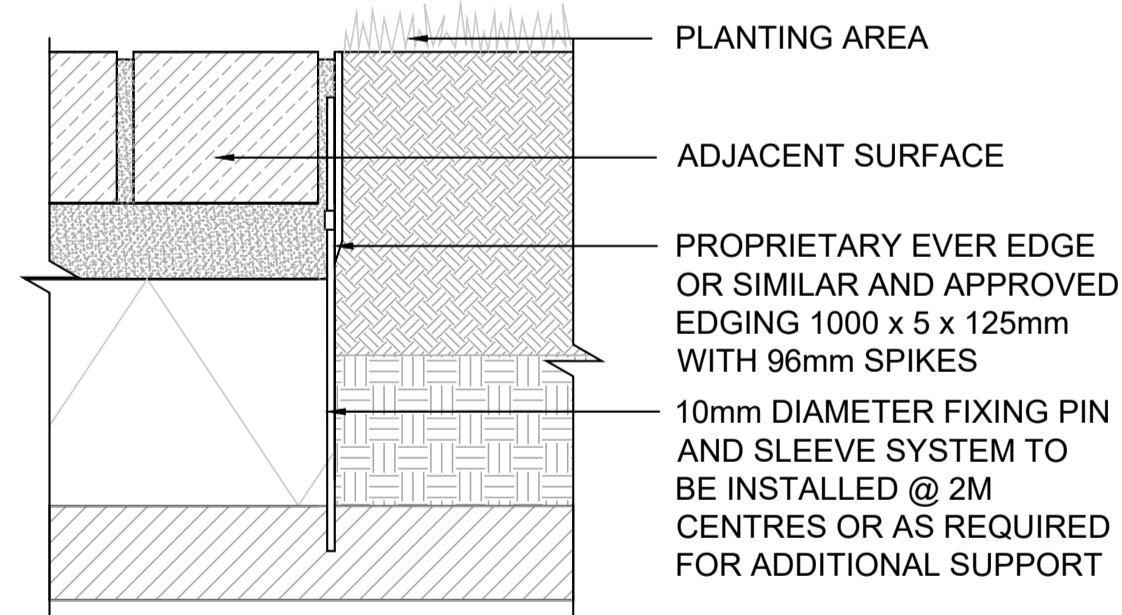


02 FLUSH KERB  
 SCALE: 1:10 @A1

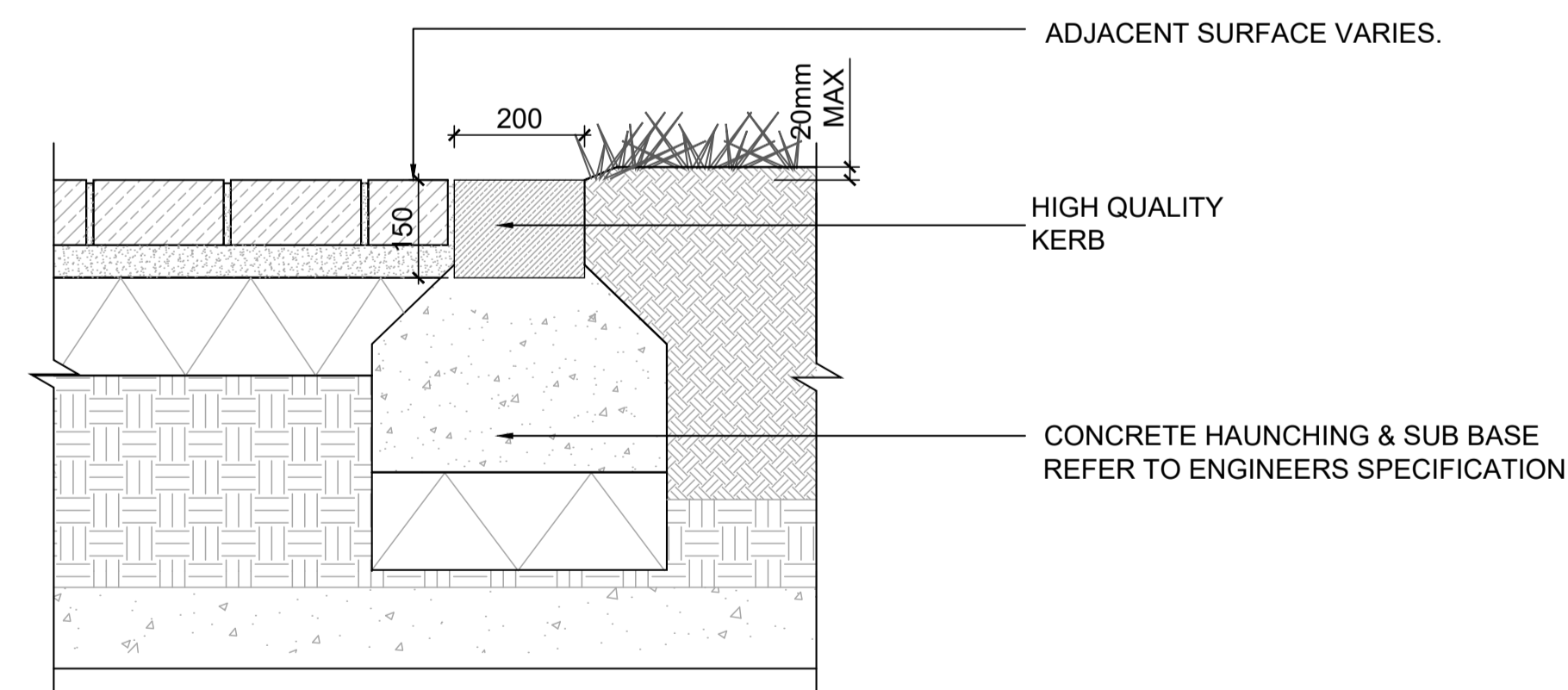


03 P3: FOOTPATH PAVING  
 SCALE: 1:20 @A1 - SUBJECT TO FURTHER DETAILED DESIGN

\* ALL PAVED AREAS AND BUILD UPS TO ALLOW FOR VEHICULAR OVER-RUN INCLUDING FIRE TENDERS, CHERRY PICKERS, SWEEPERS



03 TYPICAL STEEL EDGING  
 SCALE: 1:5 @A1



04 EDGING ADJACENT TO PLANTING AREA  
 SCALE: 1:10 @A1

REFERENCE: THIS DRAWING IS NOT FOR CONSTRUCTION

REVISIONS:			
Job No.	17A1A	Drawn By	CF
Dwg No.	L1-901	Checked By	SR
Scale	N/A	Date	OCT 2020

JOB DESCRIPTION	
Site	NEWTOWNPARK AVENUE, BLACKROCK, CO.DUBLIN
Project	NEWTOWNPARK AVENUE SHD STAGE III
Title	HARD LANDSCAPE DETAILS