

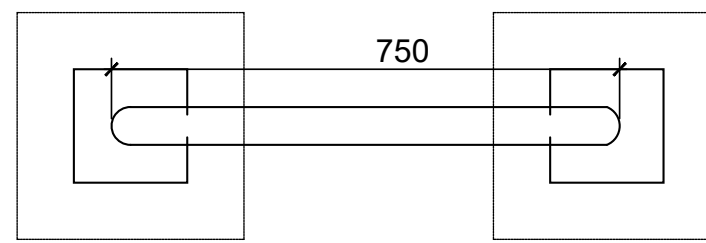
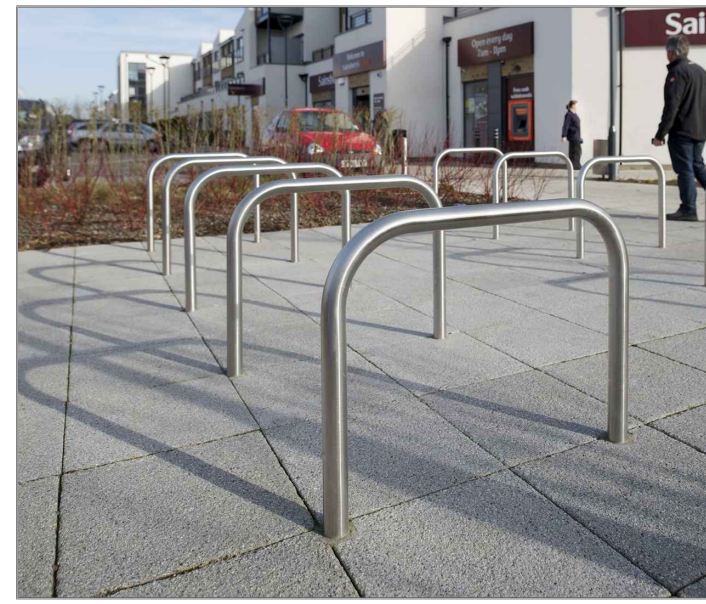
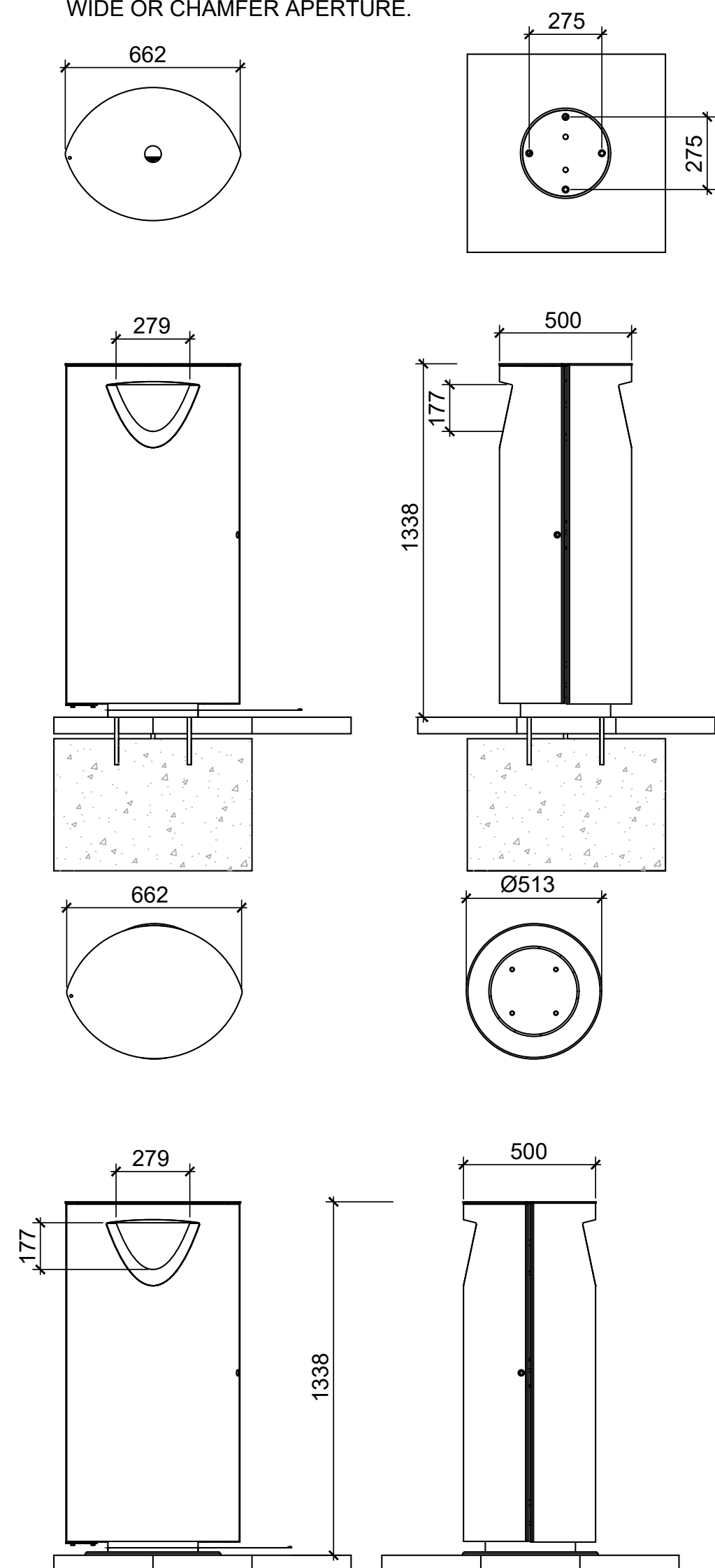


01 LITTER BIN - PUBLIC REALM (OR SIMILAR APPROVED)

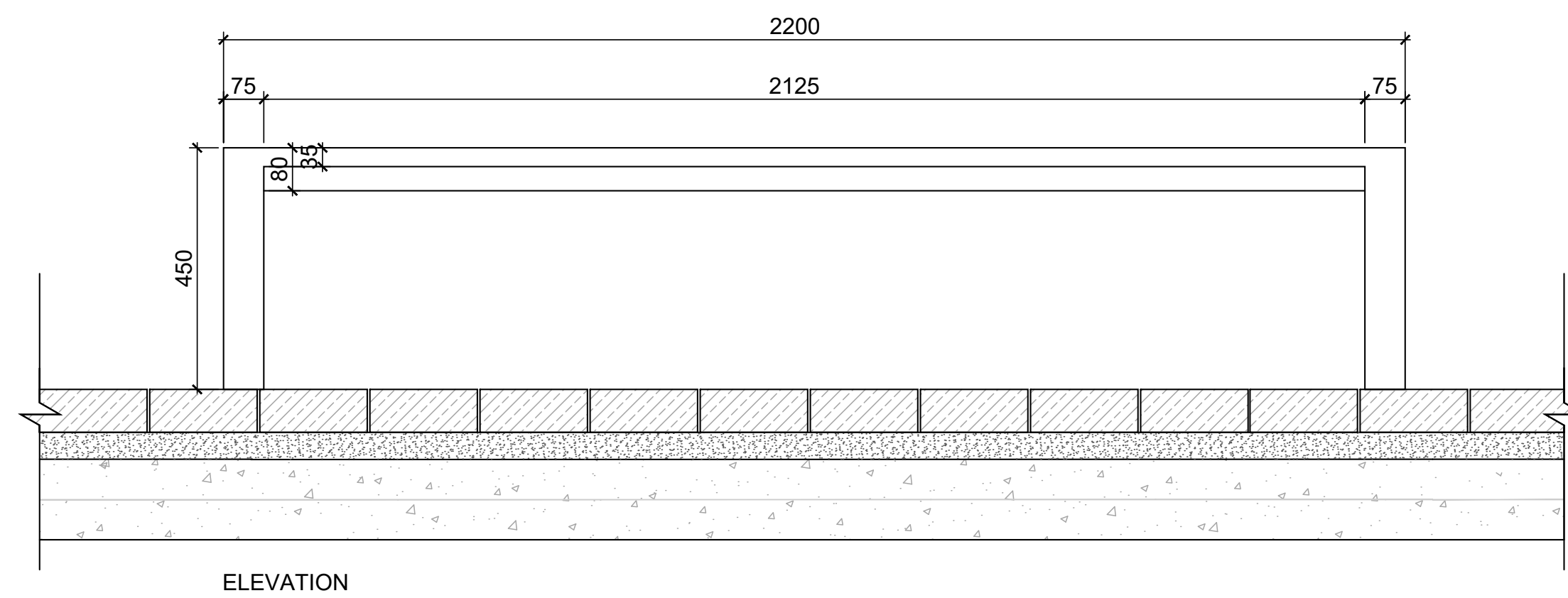
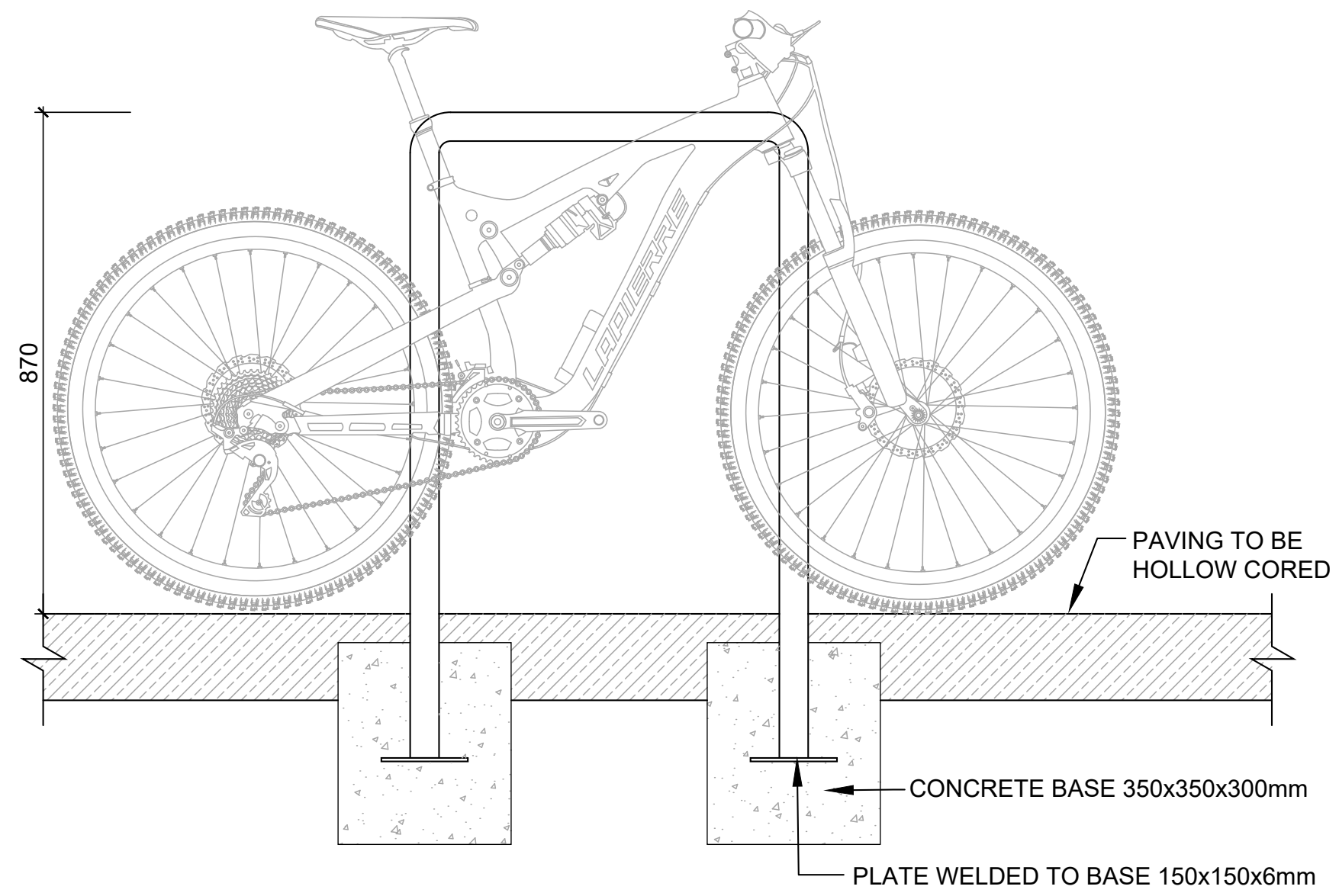
S11.3 LITTER BIN
DESCRIPTION
 316 GRADE STAINLESS STEEL WITH SATIN FINISH OUTER CONSTRUCTION ON LEVEL ADJUSTMENT GALVANIZED BASE. OMS PATENTED ASHTRAY. FRONT OPENING WITH CONCEALED STAINLESS STEEL HINGE AND SLAM LATCH. 90L LINER.

DIMENSIONS
 HEIGHT 1070MM, WIDTH 530MM, DEPTH 400MM.
 CAPACITY 90L.
 WEIGHT 62KG.

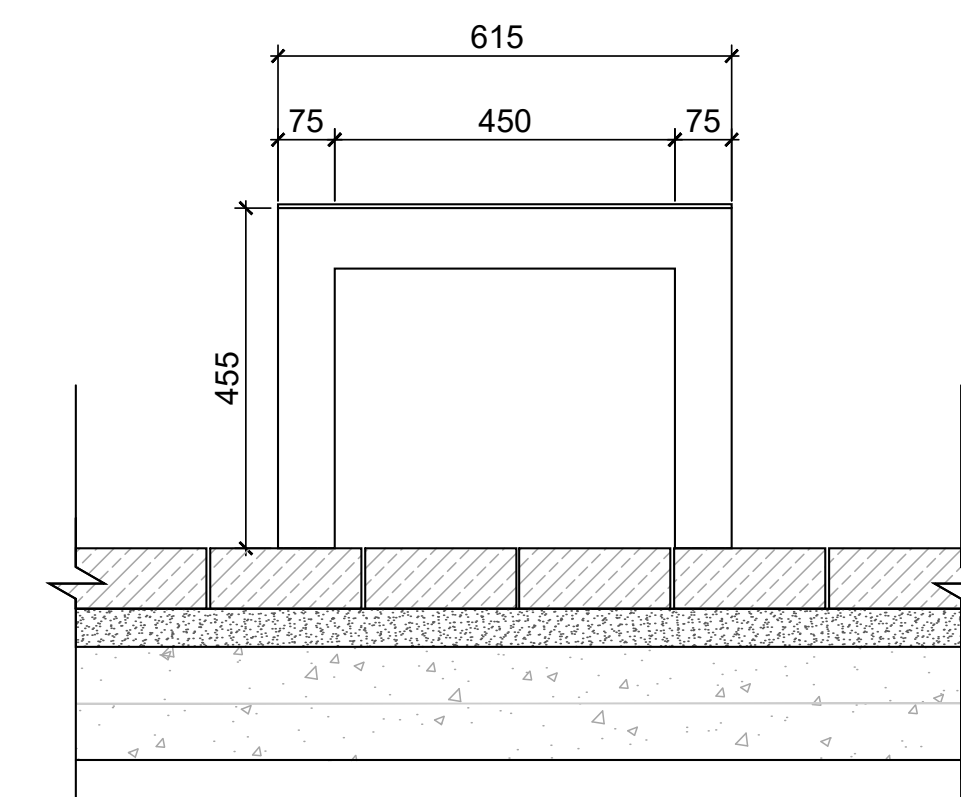
OPTIONS
 GALVANIZED OR PLASTIC LINER.
 CHOICE OF DECAL.
 WIDE OR CHAMFER APERTURE.



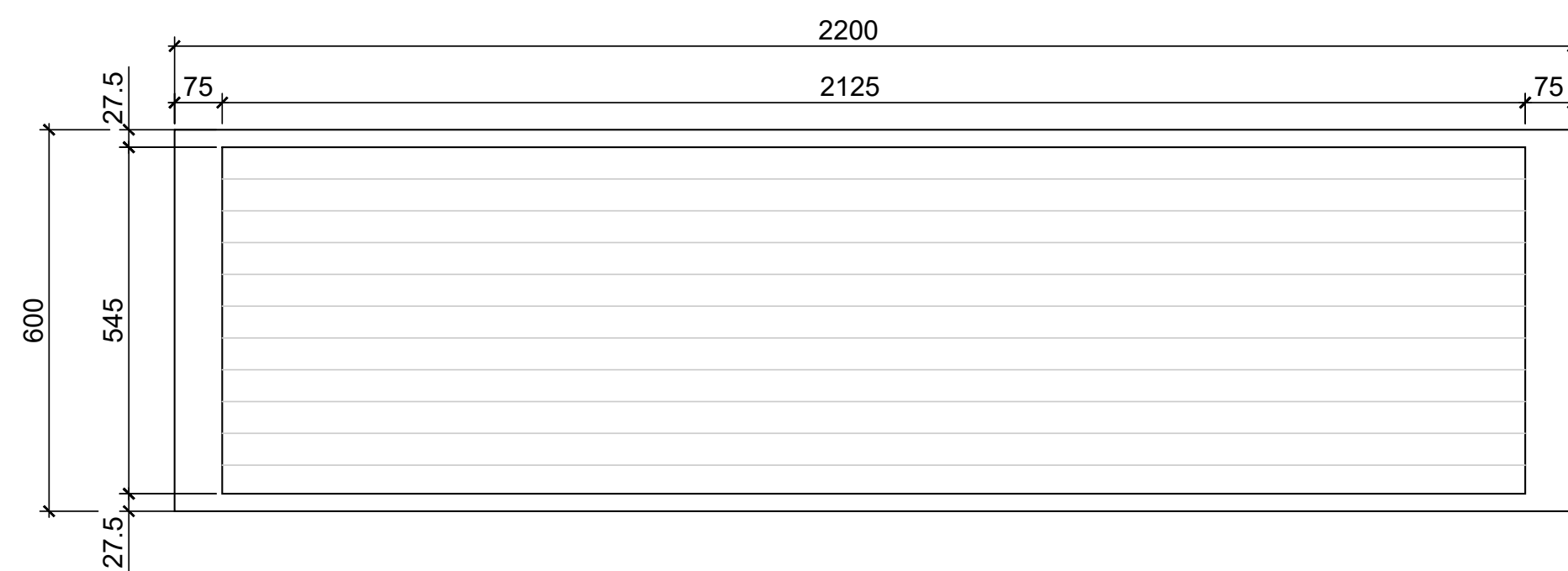
04 TYPICAL SHEFFIELD BIKE STAND
 SCALE: 1:10 @A1



ELEVATION



ELEVATION



PLAN
 (FIXED TO MANUFACTURER DETAIL)

NOTE
 ALL DIMENSIONS TO BE CHECKED ON SITE
 NO DIMENSIONS TO BE SCALED FROM THIS DRAWING
 THIS DRAWING IS TO BE READ IN CONJUNCTION WITH RELEVANT CONSULTANTS DRAWINGS
 NO PART OF THIS DOCUMENT MAY BE RE-PRODUCED OR TRANSMITTED IN ANY FORM OR STORED IN ANY RETRIEVAL SYSTEM OF ANY NATURE WITHOUT THE WRITTEN PERMISSION OF THE LANDSCAPE ARCHITECT AS COPYRIGHT HOLDER EXCEPT AS AGREED FOR USE ON THE PROJECT FOR WHICH THE DOCUMENT WAS ORIGINALLY ISSUED
 FOR DRAWING INDEX, GENERAL NOTES, AND HEALTH AND SAFETY REFER TO DWG L1-001

CLIENT:

ARCHITECTS:

REFERENCE: THIS DRAWING IS NOT FOR CONSTRUCTION

REVISIONS:

Job No.	17A1A	Drawn By	CF
Dwg No.	L1-902	Checked By	SR
Scale	N/A	Date	OCT 2020

JOB DESCRIPTION

Site	NEWTOWNPARK AVENUE, BLACKROCK, CO.DUBLIN
Project	NEWTOWNPARK AVENUE SHD STAGE III
Title	FURNITURE DETAILS



NMP
 Niall Montgomery + Partners

Architects 33 Rock Road, Williamstown, Blackrock, Co. Dublin
 Telephones: 2121 800 Fax: 2121 007 E mail: info@nmp.ie